

L - 45

SECTION 1

Questions 1-10

Complete the notes below.

Write **NOMORE THAN TWO WORDS AND/OR A NUMBER** for each answer.

Cycling holiday in Austria

Most suitable holiday lasts: 10 days.

Holiday begins on 1. _____.

No more than 2. _____ people in cycling group.

Each day, group cycles 3. _____ on average.

Some of the hotels have a 4. _____.

Holiday costs 5. £____ per person without flights.

All food included except 6. _____.

Essential to bring a 7. _____.

Discount possible on equipment at www.8. _____ .com

Possible that the 9. _____ may change.

Guided tour of a 10. _____ is arranged.

SECTION 2

Questions 11-20

Questions 11-14

Choose the correct letter, A, B or C.

11. The market is now situated

- A. under a car park.
- B. beside the cathedral.
- C. near the river.

12. On only one day a week the market sells

- A. antique furniture.
- B. local produce.
- C. hand-made items.

13. The area is well known for

- A. ice cream.
- B. a cake.
- C. a fish dish.

14. What change has taken place in the harbour area?

- A. Fish can now be bought from the fishermen.
- B. The restaurants have moved to a different part.
- C. There are fewer restaurants than three used to be.

Questions 15-20

Which advantage is mentioned for each of the following restaurants?

Choose SIX answers from the box and write the correct letter, A-H, next to questions 15-20.

Advantages

- A. the decoration
- B. easy parking
- C. entertainment
- D. excellent service
- E. good value
- F. good views
- G. quiet location
- H. wide menu

15. Merrivales _____

16. The Lobster Pot _____

17. Elliots _____

18. The Cabin _____

19. The Olive Tree _____

20. The Old School Restaurant _____

SECTION 3

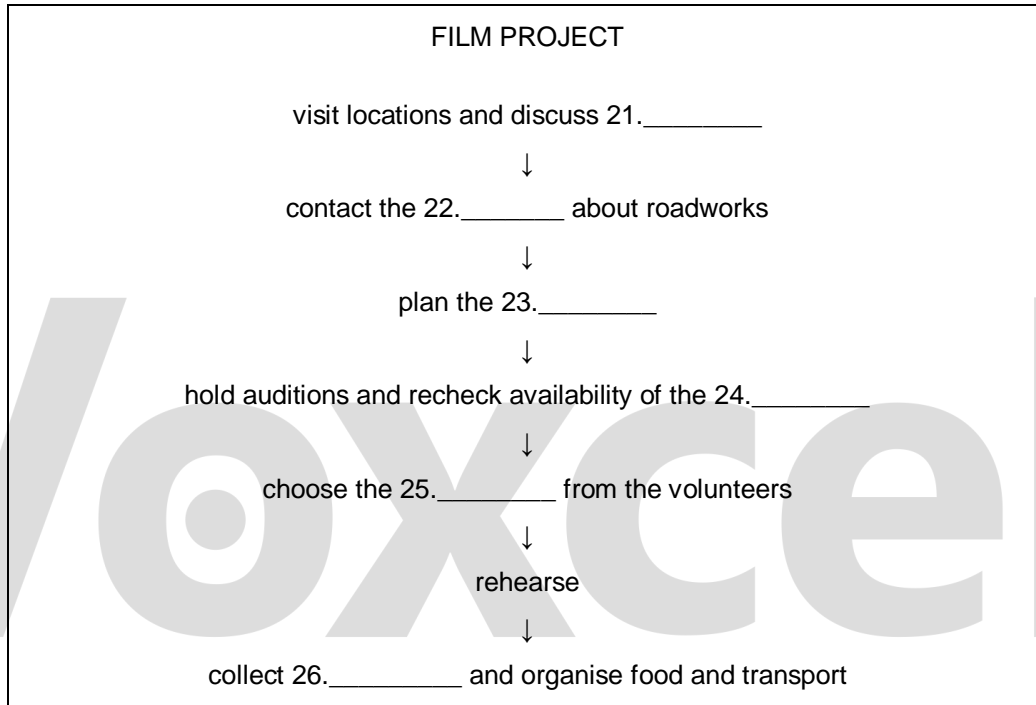
Questions 21-30

Questions 21-26

Complete the flow-chart below

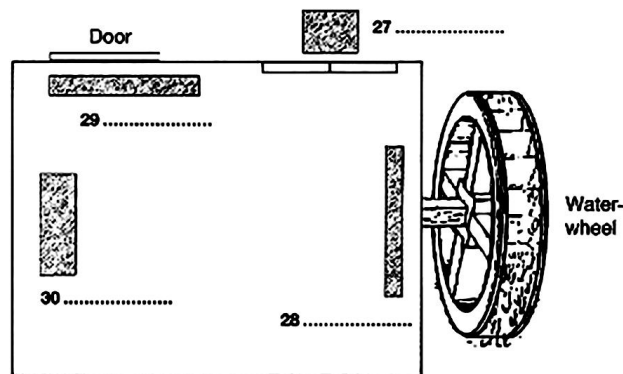
Choose SIX answers from the box and write the correct letter, A-I, next to questions 21-26.

A actors	B furniture	C background noise
D costumes	E local council	F equipment
G shooting schedule	H understudies	I shopowners



Questions 27-30

Choose four answers from the box and write the correct letter, A-G, next to questions 27-30.



A. lights	B. fixed camera	C. mirror	D. torches
E. wooden screen	F. bike	G. large box	

SECTION 4

Questions 31-40

Complete the table below.

Write NO MORE THAN TWO WORDS for each answer.

EXOTIC PESTS			
Origin	Name	New habitat	Notes
Australia	red-backed spider	New Zealand and Japan	Even so island in middle of 31. _____
England	rabbit	Australia	800 years ago: imported into England to be used for 32. _____
America	fire ants	33. _____ in Brisbane	imported by chance
Australia	34. _____	Scotland	Deliberately introduced in order to improve 35. _____ (not effective)
New Zealand	flatworm	36. _____ Europe	accidental introduction inside imported 37. _____
Japan	38. _____	Australian coastal waters	Some advantages
Australia	budgerigar	urban areas of south-east 39. _____	Smaller flocks because of arrival of 40. _____ in recent years

Answers – L 45

1. 17th April/17 April/April 17
2. 16/sixteen
3. 45 km / forty-five km / kilometres / kilometers
4. (swimming) pool
5. 1,013
6. snacks
7. (cycle) helmet
8. ballantyne
9. route [alterations = changes]
10. theatre / theater
11. A
12. C
13. B
14. B
15. D
16. H
17. F
18. G
19. C
20. A
21. C
22. E
23. G
24. A
25. H
26. B
27. B
28. A
29. E
30. G
31. (the) Atlantic (Ocean)
32. (luxury) food (source)
33. (in) gardens
34. earthworm / earth worm
35. soil (condition)
36. North(-)west / north(-)west
37. plant pots
38. seaweed(s) / sea weed(s)
39. United States / USA
40. (new) competitors