

L - 26

SECTION 1

Questions 1-10

Questions 1-6

Complete the table below.

Write NO MORE THAN TWO WORDS for each answer

Position	Place	Notes
1. _____	Parkview Hotel	Speak foreign languages Have a valid 2. _____ Include 3. _____
General Assistant	Lakeside Hotel	Pay is low Free 4. _____ Issue a 5. _____
Catering Assistant	Hotel 98	Wear 6. _____ Night shift work Travel outside the city

Questions 7-10

Complete the flow chart below.

Write NO MORE THAN THREE WORDS for each answer.

RECRUITMENT PROCESS

STEP ONE
Complete a 7. _____

STEP TWO
Do a 8. _____ about personal skills

STEP THREE
Participate a training course involving 9. _____

STEP FOUR
Get a 10. _____ about the work

SECTION 2

Questions 11-20

Questions 11-14

Complete the notes below.

Write NO MORE THAN THREE WORDS AND/OR A NUMBER for each answer.

REGISTRATION OF FOREIGN NATIONALS AT THE HEALTH CENTER STANDARD PROCEDURES

Register as a 11. _____

Fill in a medical history form with details of previous illness, 12. _____ surgeries and 13. _____.

Complete a 14. _____ with personal information such as name, address and telephone number.

Questions 15-20

Circle the correct letter, A, B or C.

15. The nurse can help you with

- A. minor operation
- B. all sorts of remedy.
- C. a small injury

16. You don't have to pay for the chiroprapist if

- A. you have registered at the health center.
- B. you are in your late' sixties.
- C. you have foot trauma.

17. In case of emergency

- A. you can ask for a home visit.
- B. you must go to the hospital directly.
- C. you should have an open surgery.

18. On Friday afternoons

- A. you don't need to wait for a long time.
- B. you don't need to make an appointment.
- C. you ought not to come at a specified time.

19. If you require a repeat prescription

- A. you have to see the doctor again.
- B. you need a special form.
- C. you can get one from the chemist.

20. In which case you needn't pay for the prescription

- A. if you are a student.
- B. if you are unemployed or very poor.
- C. if you are pregnant.

SECTION 3

Questions 21-30

Questions 21-23

Complete the sentences below.

Write NO MORE THAN TWO WORDS AND/OR A NUMBER for each answer.

People domesticate bees for honey and 21. _____.

Commercial crops such as almond, cherry, 22. _____, water melon, cucumber, depend on pollination.

Animal pollination contributes 23. _____ dollars a year to world agriculture.

Questions 24-25

Choose TWO letters, A-D.

According to the professor, what factors have affected pollinator populations?

- A. Parasites.
- B. Air pollution.
- C. Hunting.
- D. Farm chemicals.

Questions 26-29

What are the features of each pollinator?

Choose the correct letter, A-F.

- 26. Monarch butterfly _____
- 27. Indian subcontinent butterflies _____
- 28. Spectacular tropical butterflies _____
- 29. Long-nosed bat. _____

- A. It pollinates four out of live food crops in North America.
- B. It has been mistaken for a similar animal.
- C. It feeds on the nectar of lavender.
- D. It has been affected by environmental alteration.
- E. It has been smuggling traded.
- F. It returns to the specific site every year.

Question 30

Choose the correct letter, A, B or C.

30. What can be done to protect pollinators?

- A. Beekeeping needs to focus on honey production.
- B. People should use more organic approach of cultivation.
- C. Scientists should exploit more wild plants.

SECTION 4

Questions 31-40

Questions 31-35

Complete the summary below.

Write NO MORE THAN TWO WORDS AND/OR A NUMBER for each answer.

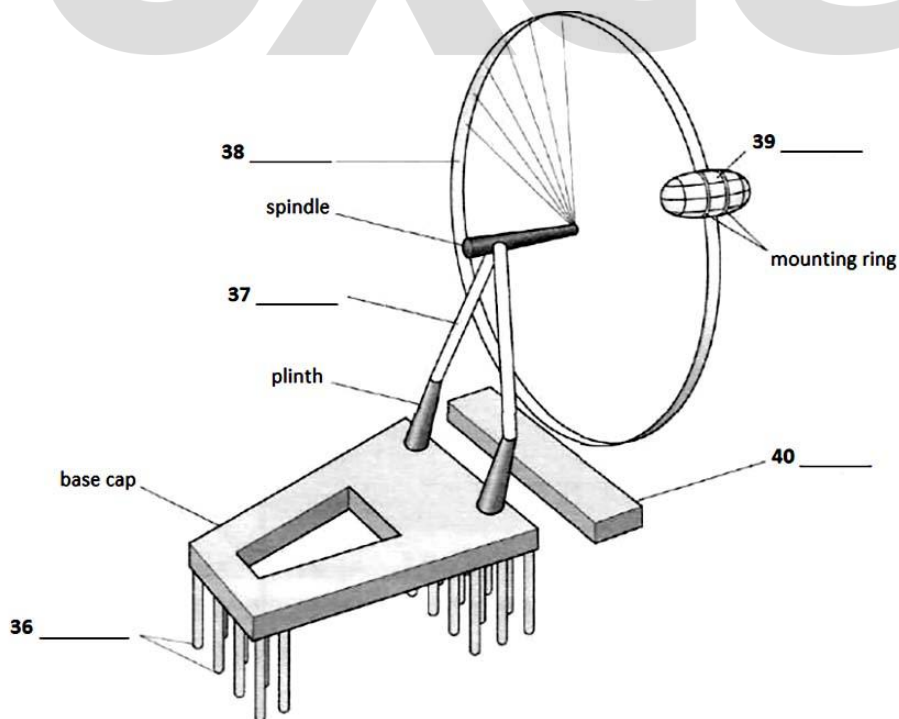
THE LONDON EYE

The London Eye, or 31. _____ Wheel is an extremely large passenger carrying Ferris wheel situated on the banks of the 32. _____ in Central London in the United Kingdom. It attracts 33. _____ people annually. Back in 2000, 34. _____ was the main sponsor. Today, the London Eye is operated by the London Eye Company Limited, a Merlin Entertainments Group Company. Standing at a height of 35. _____. Is the largest Ferris wheel in Europe, and has become the most popular paid tourist attraction in the United Kingdom, visited by over three million people in one year.

Questions 36-40

Label the diagram below.

Write NO MORE THAN TWO WORDS for each answer.



Answers – L 26

1. Reception Assistant
2. driving license/ driving license
3. heavy lifting
4. meals
5. certificate
6. staff uniform
7. personal information form
8. questionnaire
9. role-play activities
10. video
11. temporary visitor
12. allergies
13. current medication
14. registration card
15. C
16. B
17. A
18. B
19. B
20. C
21. beeswax
22. avocado pear
23. 200 billion
24. &25. A, D (in either order)
26. F
27. D
28. E
29. B
30. B
31. Millennium
32. River Thames
33. 3.5 million
34. British Airways
35. 135 meters/ metres
36. tension piles
37. A-Frame
38. Rim
39. Passenger Capsules
40. Boarding Platform

